

- 1
- 2
- 3
- 4
- 5
- 6
- 7
- 8
- 9
- 10
- 11
- 12
- 13
- 14
- 15
- 16
- 17
- 18

**MATERIAL**

Anodised aluminium black colour.

**TRIANGULAR INDEX**

Laser-engraved (white perimeter).

**STANDARD EXECUTIONS**

H8 reamed hole.

- **GN 723.3-A:** flange with NBR synthetic rubber friction ring.

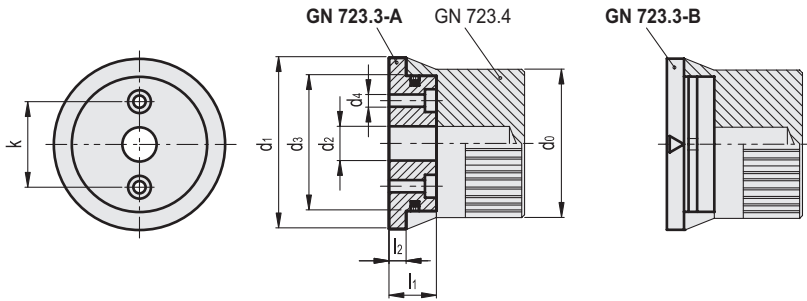
- **GN 723.3-B:** flange without friction ring.

**APPLICATIONS**

GN 723.3 flanges are designed to optimize use of knurled control knobs GN 723.4 GN 723.4 (see page 428).



Conversion Table 1 mm = 0.039 inch	
d1	
mm	inch
33.5	1.32
41	1.61
50	1.97



**METRIC**

Code	Description	d1	d2 H8	d0 Ø GN 723.4	d3 -0.1	d4	k	l1	l2	
GN.38441	GN 723.3-33.5-B6-A	33.5	6	27	23	3.2	13	11.2	4	16
GN.38442	GN 723.3-33.5-B6-B	33.5	6	27	23	3.2	13	11.2	4	15
GN.38446	GN 723.3-41-B8-A	41	8	34	29	3.2	18	14.2	5	31
GN.38447	GN 723.3-41-B8-B	41	8	34	29	3.2	18	14.2	5	31
GN.38451	GN 723.3-50-B10-A	50	10	42	37	4.3	24	16.2	5	51
GN.38452	GN 723.3-50-B10-B	50	10	42	37	4.3	24	16.2	5	51

Control elements